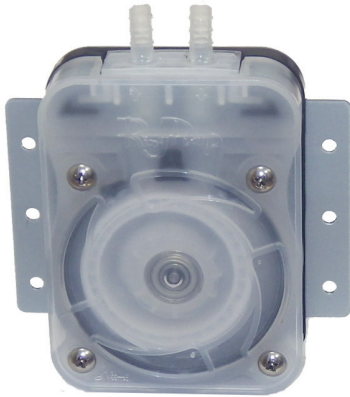


# Ring Pump®

## RP-S Series



### Features

- Biggest flow rate pump among our lineup.  
You can have double flow rate with RP-2S series which combines two RP-S.

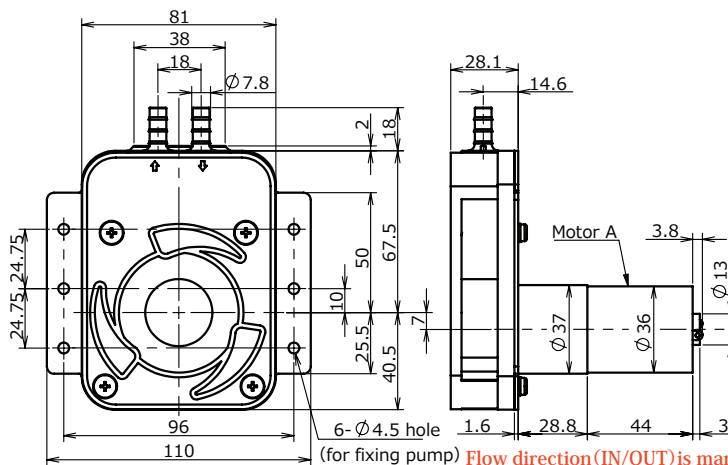
### Examples of application

Automatic washing machine  
Automatic cup coffee vender  
Floor washer, Hand washer  
Applications for detergent supply etc.

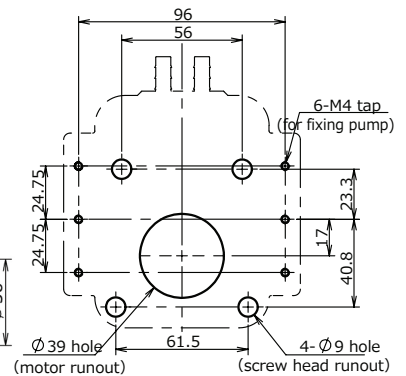
### Main specifications

Flow rate (mL/min)	500 700 800
Tubing	TygonA-60-F/ PharMed BPT/ TM-15
Motor/Power source	DC geared motor DC24V
Weight (for reference)	Approx. 650g

### [Outline view]



### [Mounting plate view]



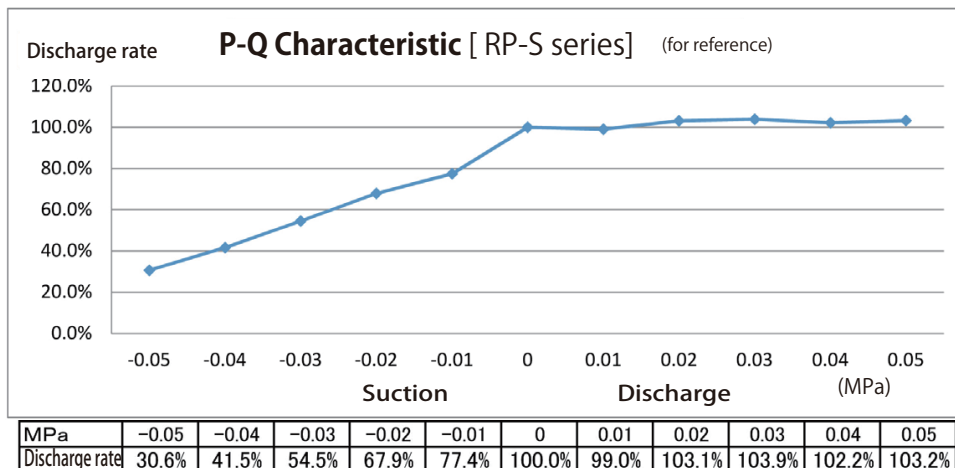
Flow direction (IN/OUT) is marked on the product.  
\*Flow direction (IN/OUT) is true when positive side is connected to the terminal marked ⊕ on the motor.

Be sure that the motor shaft position is horizontal.

### Model Lineup

Model Lineup	Voltage (DC/V)	Flow rate (mL/min)	Tubing		Remarks	
			Type	ID x OD (mm)	Motor	Motor Rotation
RP-S06N-500Z-DC24V	24	500	Tygon A-60-F (N)	6.35 x 9.52	A	CW
RP-S06F-500Z-DC24V	24	500	PharMed BPT (F)	6.35 x 9.52	A	CW
RP-S06W-500Z-DC24V	24	500	Transmaster TM-15 (W)	6.35 x 9.52	A	CW
RP-S06N-700Z-DC24V	24	700	Tygon A-60-F (N)	6.35 x 9.52	B	CW
RP-S06F-700Z-DC24V	24	700	PharMed BPT (F)	6.35 x 9.52	B	CW
RP-S07W-800Z-DC24V	24	800	Transmaster TM-15 (W)	7.0 x 10.0	B	CW

\* PharMed BPT and Tygon A-60-F are products of Saint-Gobain SA and formerly described as PharMed and Norprene in our brochure.  
\* Transmaster TM-15 is product of Mitsubishi Co., Ltd., Japan.



※ Variable by material or ID of tubing.