

Ring Pump®

RP-G III Series

特徴

Features

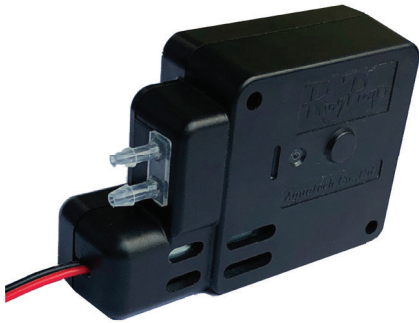
- Unique and compact box shape pump (Worm gear set is employed)
- Flow rate range is rather small and it is in near side to one for series of RP-Q and RP-CIII.
- More choices in selecting tubing.

Examples of application

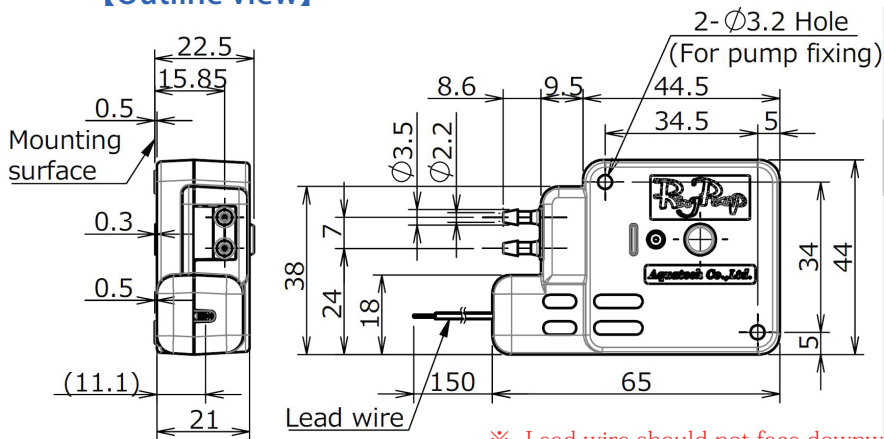
Automatic washing machine
Electrolytic water conditioner
Applications for detergent supply etc.

Main specifications

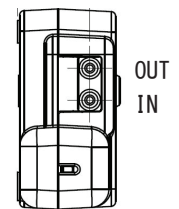
Flow rate (mL/min)	2.5 - 12 (see Model Lineup)
Tubing	Silicone/PharMed BPT/Versilon F-5500-A/TM-15
Motor/Power source	DC geared motor DC 3 - 6V
Weight (for reference)	Approx. 62g



[Outline view]



[Flow direction]



*Flow direction (IN/OUT) is true when positive side is connected to the red lead wire.

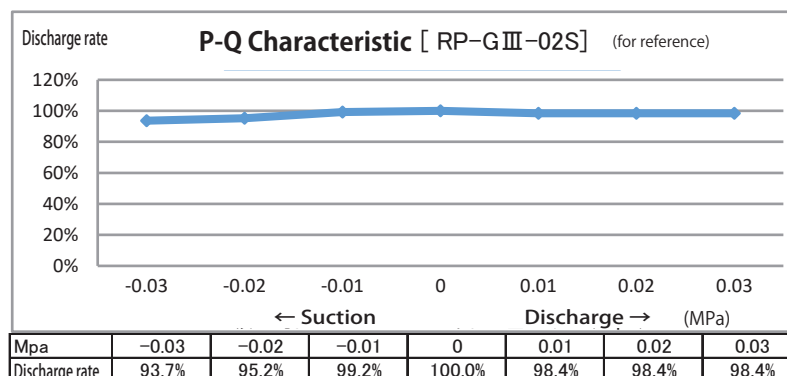
※ Lead wire should not face downward.

Model Lineup

Model Lineup	Voltage (DC/V)	Flow rate (mL/min)	Tubing	
			Type	ID x OD (mm)
RP-GIII02S-12Z-DC6V	6	12	Silicone	2 x 4
RP-GIII02S-5Z-DC3V	3	5	Silicone	2 x 4
RP-GIII02F-10Z-DC6V	6	10	PharMed BPT	2 x 4
RP-GIII02F-4P5Z-DC3V	3	4.5	PharMed BPT	2 x 4
RP-GIII1.6F-6P5Z-DC6V	6	6.5	PharMed BPT	1.6 x 3.2
RP-GIII1.6F-2P5Z-DC3V	3	2.5	PharMed BPT	1.6 x 3.2
RP-GIII1.6R-8Z-DC6V	6	8	Versilon F-5500-A	1.6 x 3.2
RP-GIII1.6R-3P2Z-DC3V	3	3.2	Versilon F-5500-A	1.6 x 3.2
RP-GIII1.6W-7Z-DC6V	6	7	Transmaster TM-15	1.6 x 3.2
RP-GIII1.6W-3Z-DC3V	3	3	Transmaster TM-15	1.6 x 3.2

* PharMed BPT and Versilon F-5500-A are products of Saint-Gobain SA and formerly described as PharMed and Fluran in our brochure.

* Transmaster TM-15 is product of Mitsubishi Co., Ltd., Japan



※ Variable by material or ID of tubing.