

Ring Pump®

RP-C III Series

Features

- Small in size and in flow rate among multi-purpose pumps in our lineup.
- Pump head including tube is replaceable and you have wide range of usage.

Examples of application

Analytical instruments, medical devices, ink jet printer and many other usage where micro-fluidic control is needed.



Main specifications

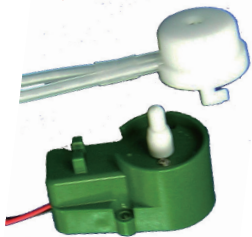
Flow rate (mL/min)	1.6 2.8
Tubing	Silicone/PharMed BPT/Versilon F-5500-A
Motor/Power source	DC geared motor DC3V 5V
Weight (for reference)	Approx. 30g

Pump head is replaceable easily without screw.

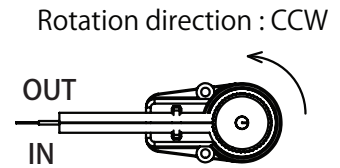
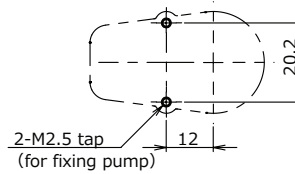
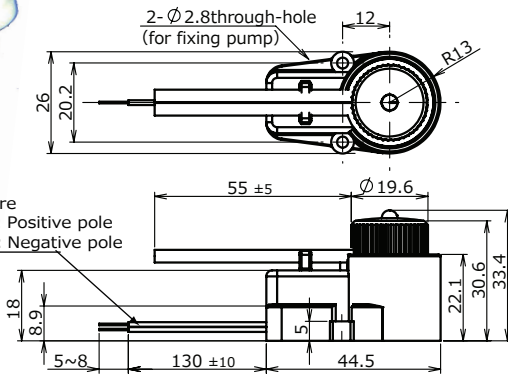
【Outline view】

【Mounting plate view】

【Flow direction】



Lead wire
Red : Positive pole
Black : Negative pole



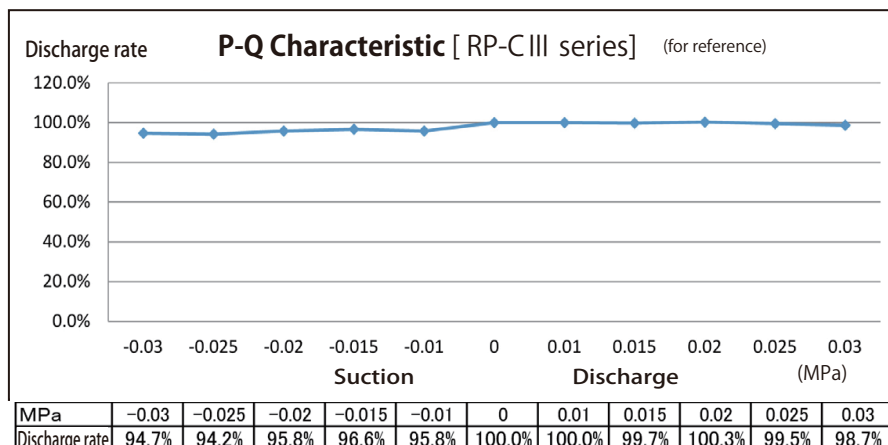
IMPORTANT !!

Connect "red" lead wire to positive pole and "black" one to negative pole. If you connect properly, flow direction is as shown in above illustration. If you connect to opposite pole, it may cause troubles such as flow failure.

Model Lineup

Model Lineup	Voltage (DC/V)	Flow rate (mL/min)	Tubing		Variable range of voltage	Model of pump head
			Type	ID x OD (mm)		
RP-CIII 1.6S-2Z-DC3V	3	1.6	Silicone	1.6 x 3.2	3V - 5V	RK-CIII 1.6S
RP-CIII 1.6F-2Z-DC3V	3	1.6	PharMed BPT	1.6 x 3.2		RK-CIII 1.6F
RP-CIII 1.6R-2Z-DC3V	3	1.6	Versilon F-5500-A	1.6 x 3.2		RK-CIII 1.6R
RP-CIII 1.6S-3Z-DC5V	5	2.8	Silicone	1.6 x 3.2	3V - 5V	RK-CIII 1.6S
RP-CIII 1.6F-3Z-DC5V	5	2.8	PharMed BPT	1.6 x 3.2		RK-CIII 1.6F
RP-CIII 1.6R-3Z-DC5V	5	2.8	Versilon F-5500-A	1.6 x 3.2		RK-CIII 1.6R

* PharMed BPT and Versilon F-5500-A are products of Saint-Gobain SA and formerly described as PharMed and Fluran in our brochure.



* Variable by material or ID of tubing.