

Ring Pump®

RP-2S Series



Features

- Having two pump parts of RP-S pump, flow volume is doubled.
- Pulsation is decreased due to shifting angle of rotor of additional pump by 180 degrees.

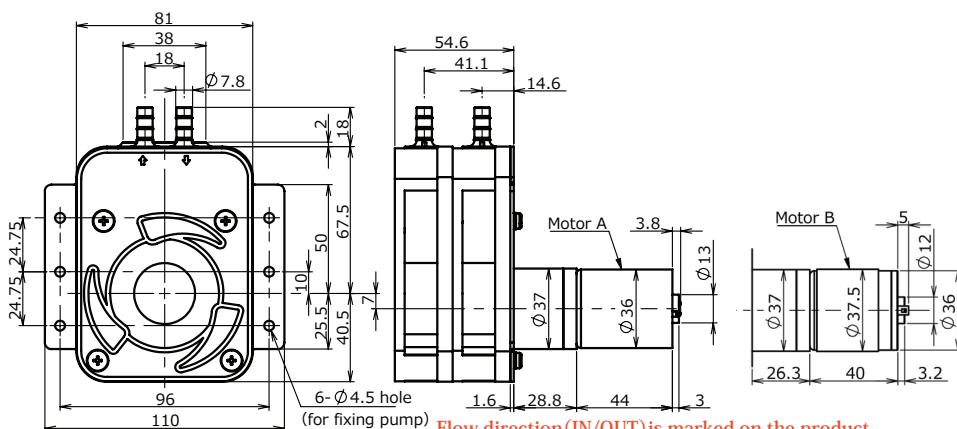
Examples of application

Automatic washing machine
Automatic cup coffee vender
Floor washer, Hand washer
Applications for detergent supply etc.

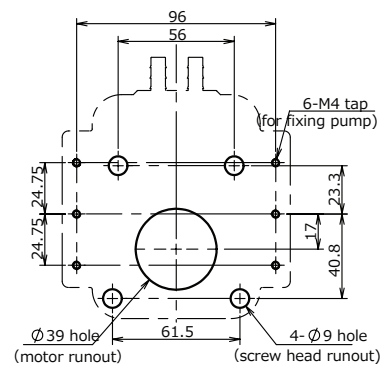
Main specifications

Flow rate (mL/min)	1000 1400 1600
Tubing	TygonA-60-F/ PharMed BPT/ TM-15
Motor/Power source	DC geared motor DC24V
Weight (for reference)	Approx. 900g

【Outline view】



【Mounting plate view】



Flow direction (IN/OUT) is marked on the product.

*Flow direction (IN/OUT) is true when positive side is connected to the terminal marked ⊕ on the motor.

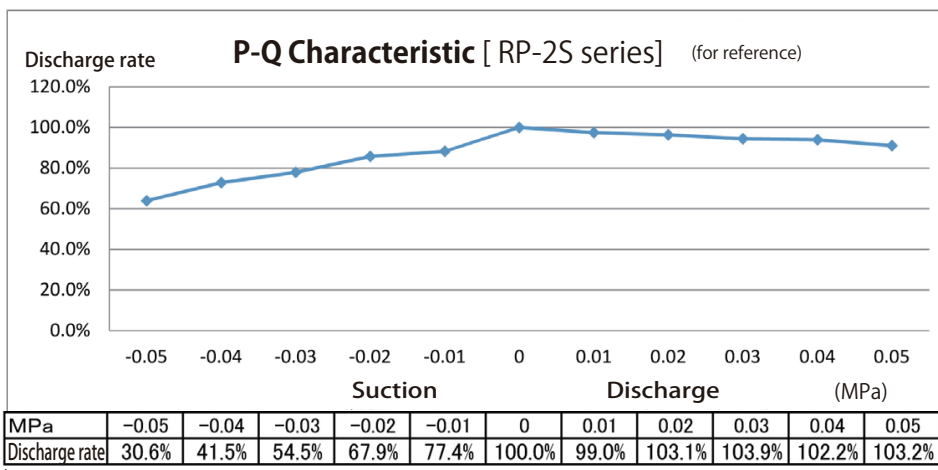
Be sure that the motor shaft position is horizontal.

Model Lineup

Model Lineup	Voltage (DC/V)	Flow rate (mL/min)	Tubing		Motor
			Type	ID x OD (mm)	
RP-2S06N-1000Z-DC24V	24	1000	Tygon A-60-F	6.35 x 9.52	A
RP-2S06F-1000Z-DC24V	24	1000	PharMed BPT	6.35 x 9.52	A
RP-2S06W-1000Z-DC24V	24	1000	Transmaster TM-15	6.35 x 9.52	A
RP-2S06N-1400Z-DC24V	24	1400	Tygon A-60-F	6.35 x 9.52	B
RP-2S06F-1400Z-DC24V	24	1400	PharMed BPT	6.35 x 9.52	B
RP-2S07W-1600Z-DC24V	24	1600	Transmaster TM-15	7.0 x 10.0	B

* Tygone A-60-F and PharMed BPT are products of Saint-Gobain SA and formerly described as Norprene and PharMed in our brochure.

* Transmaster TM-15 is product of Mitsubishi Co. Ltd.



※ Variable by material or ID of tubing.